

EPP plenum box for air valve

FLX-PLO-EPP-F



Description

The FLX-PLO-EPP-F plenum boxes are part of the FLX-REKU air distribution system designed for domestic mechanical ventilation systems, so-called the MVHR system, to which an air valve and FLX-HDPE / FLX-HDPE-A ducts with a diameter of $\varnothing 75$ are mounted.

Due to their small size, they do not require much space or special installation. This allows achieving a larger usable floor area of the room.

The FLX-PLO-EPP-F plenum boxes are made of expanded polypropylene, i.e. EPP, while $\varnothing 75$ spigots are made of ABS. The material used allows obtaining an aerodynamic shape of the inside of the box which leads to low air resistance.

Key features:

- EPP is an insulation material $\lambda=0.039$, the wall thickness is about 8 to 31 mm.
- The profiled internal shape of the box reduces pressure drops
- "Double" FLX-HDPE duct fixing - the male connection spigot with a gasket on the inside and EPP casing on the outside
- The plenum boxes do not corrode
- Spigot (d_1) for an air valve with graduation to be cut to size as required - 40, 60, or max. 80 mm.
- 2 installation methods - with 3 screws and wall plugs or with 17-25 mm-wide PB perforated tape

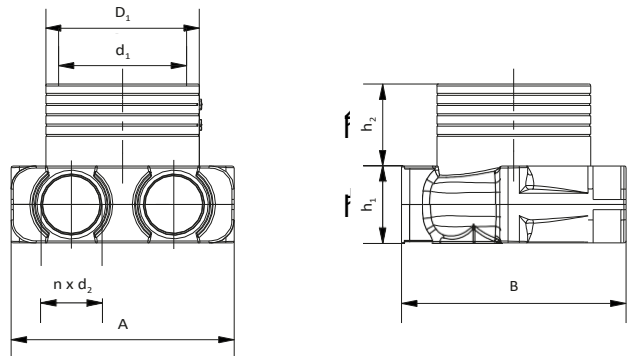
The FLX-PLO-EPP-F plenum boxes are equipped with TPE gasket on $\varnothing d_2$ spigots as a standard - such connection with FLX-HDPE ducts is airtight and easy to make. A system created with the FLX-PLO-EPP-F boxes achieves the **airtightness class C**.

Product code example

Product code **FLX-PLO-EPP - 75 - 2 - 150 - F**

type	_____
diameter $\varnothing d_2$	_____
number of spigots n	_____
diameter $\varnothing d_1$	_____
female connection	_____

Dimensions



	A	B	h_1	h_2	D_1	d_1	n	d_2
	[mm]	[mm]	[mm]	[mm]	[mm]	[mm]	[szt.]	[mm]
FLX-PLO-EPP-75-1-100-F	134	194	75	80	125	100	1	75
FLX-PLO-EPP-75-2-125-F	217.5	219	75	80	150	125	2	75

Spigot (d_1) for an air valve with graduation to be cut to size as required - 40, 60, or max. 80 mm



The profiled internal shape of the box reduces pressure drops



The **FLX-CS-PVC** end caps fit the $\varnothing d_2$ connection spigots of FLX-PLO-EPP-F plenum boxes.

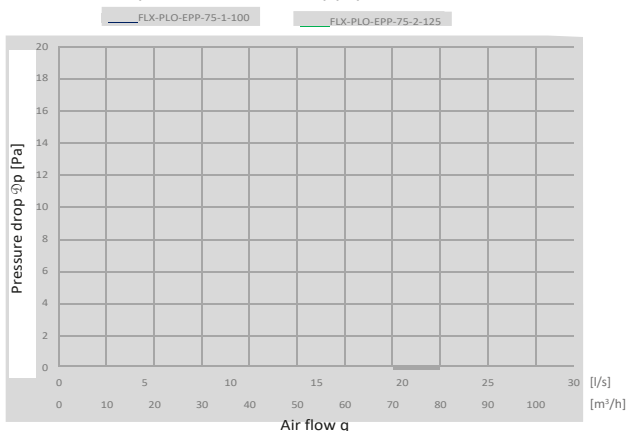


EPP plenum box for air valve

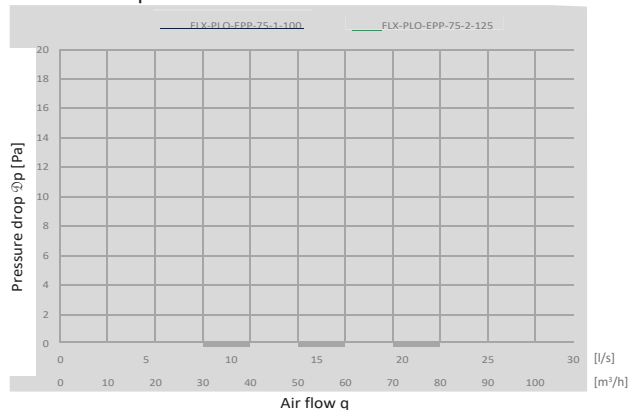
FLX-PLO-EPP-F

Technical data

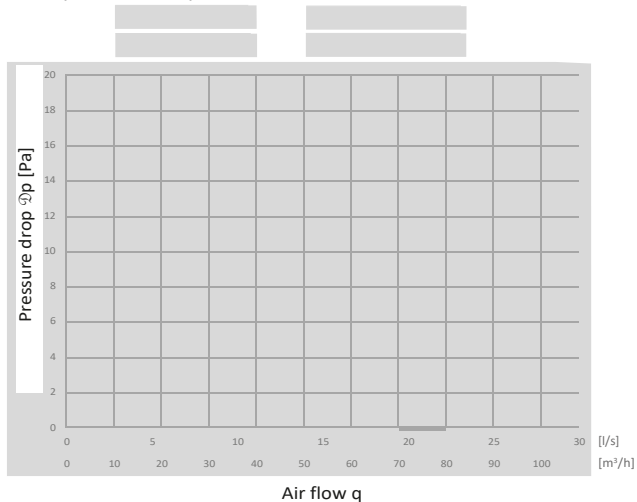
Pressure drop charts for the supply air to the room



Pressure drop charts for the extract air from the room



Comparison of a plenum box made of EPP and steel



Types of plenum boxes

FLX-PLO-EPP-F - female connection spigot $\varnothing d_1$



Types of plenum boxes

FLX-PLO-EPP-d2-n-d1-F

- Type - FLX-PLO-EPP-F
- d_2 - FLX-HDPE-75 ducting diameter
- n - number of spigots for FLX-HDPE ducting (1 or 2)
- d_1 - air valve diameter (100 or 125 mm)

You may also need:

-  EPP reduction 125 by 100 mm
FLX-PLO-EPP-RC-125-100F
-  KN, KW Air valve
-  FLX-HDPE / FLX-HDPE-A Semi-rigid ducting
-  FLX-CS-PVC End caps